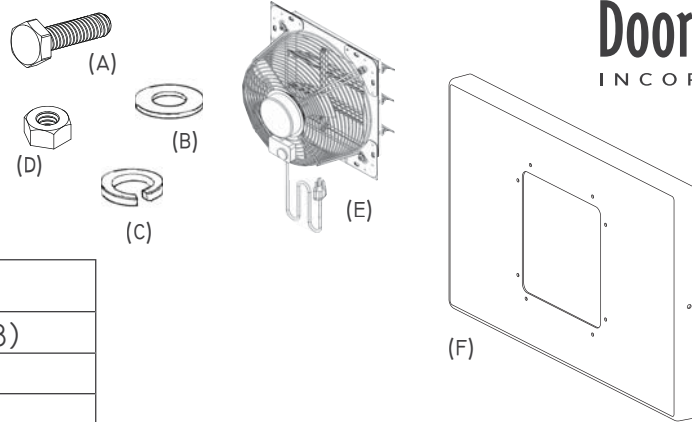


Crawl Space Door quick+easy Installation Guide



WHAT YOU'LL NEED:

- ADJUSTABLE WRENCH
- 7/16" WRENCH



INCLUDED IN THE KIT:

A	1/4-20 HEX BOLTS (8)	D	1/4 NUTS (8)
B	1/4 WASHERS (8)	E	FAN
C	1/4 LOCK WASHERS (8)	F	COVER

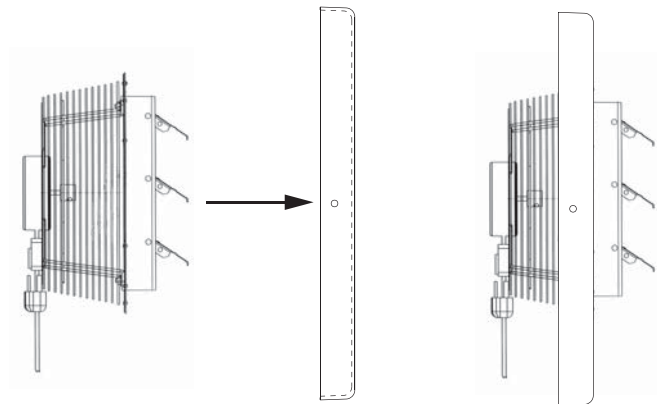
FAN INSTALLATION

1. Slide FAN (E) into opening of the COVER (F) from the inside so the metal louvers are facing outwards.

2. PLACE the 1/4-20 HEX BOLT (A) through the front of the COVER (F) and secure on other side with WASHER (B), LOCK WASHER (C), and NUT (D), respectively.

Use a wrench to securely tighten the bolts.
DO NOT OVER TIGHTEN.

Repeat for the remaining holes



COVER + FAN INSTALLATION OVER FRAME

REMOVE TAPE ON LOUVERS

Plug FAN into the appropriate location.

Place COVER over frame insuring that the FAN cord is on the bottom so the metal louvers will open when FAN is on.

Secure COVER+FAN on FRAME with threaded nylon pins provided in the frame installation kit.

