



**Crawl Space  
Door Systems**  
INCORPORATED

3700 Shore Drive  
Virginia Beach, VA 23455  
1.800.230.9598

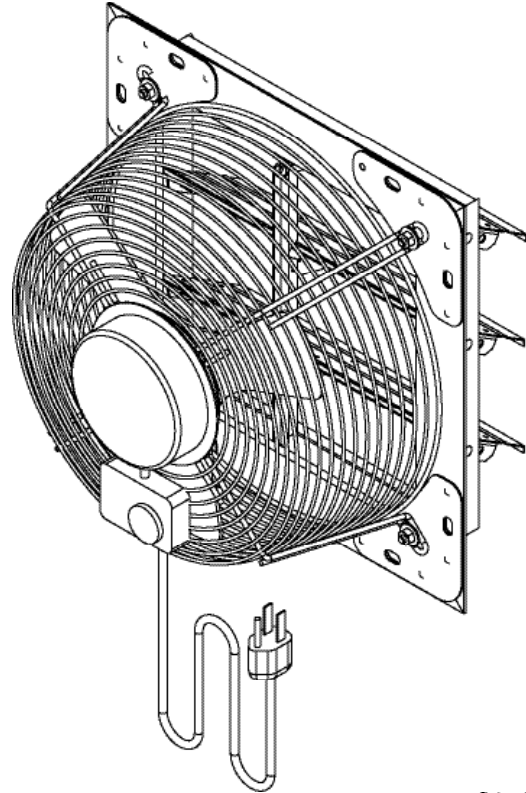
# INSTRUCTIONS

**READ AND SAVE THESE INSTRUCTIONS**

## Aluminum Exhaust Shutter Fans

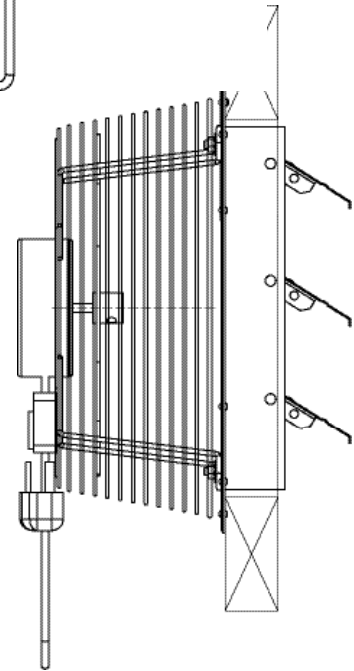
### INSTALLATION

1. Frame in your shutter fan opening using the correct rough opening sizes given in the chart below.
2. Place the shutter fan in the opening as shown in the diagram. Make sure the shutter fan is spaced in the opening so there is no interference on the sides of the shutter fan.
3. Fasten the shutter fan using 4 lag bolts and 4 washers (not supplied) through 4 of the 3/8" x 5/8" slots in the shutter. Try to keep all of the lag bolts as close to the center of the slots as possible. This will allow for some adjustment if the shutter is binding.
4. Once you have the shutter fan fastened make sure all the louvres move freely.
5. These fans have a 3-prong grounded plug wired for 110V and must be plugged into a matching receptacle. Once plugged in please check to make sure the fan works on all speeds. Important when using in a basement or crawl space, the outlet should be on a GFI circuit.
6. A proper air inlet must be provided with each exhaust fan to ensure the fan is not overloaded. See chart below for recommended inlet opening per fan size.



### INSIDE MOUNT

Attach washers  
and lag bolts  
through pre-drilled  
slots in shutter fan



### MAINTENANCE

Periodically make sure the louvres, guard and blade are free and clear of dirt and dust build up. Remove any dirt or dust by wiping with a cloth. DO NOT use a pressure washer or compressed air.

Shutter Fan Size	Rough Opening Size	Recommended Inlet Size (Sq Ft)
10" X 10"	10.5" X 10.5"	1.50
12" X 12"	12.5" X 12.5"	1.75
16" X 16"	16.5" X 16.5"	2.7
20" X 20"	20.5" X 20.5"	4.00
24" X 24"	24.5" X 24.5"	5.50

### WARRANTY

Crawl Space Door System Inc. warrants every new shutter fan to be free of defects and workmanship, to the extent that, within one year from the date of purchase Crawl Space Door System Inc. shall either repair or replace at their option, any unit or part thereof, returned to Crawl Space Door System Inc. freight pre-paid, and found to be defective. Proof of purchase may be required.

This warranty does not include any labor or transportation cost incidental to the removal and re-installation of the unit at the users premises. Components repaired or replaced are warranted through the remainder of the original warranty period only. This warranty applies to the original purchaser-user only; it is null and void in case of alteration, accident, abuse, neglect, and operation not in accordance with instructions

**NOTICE: No warranty claims will be honored by Crawl Space Door System Inc. unless prior authorization is obtained.**