

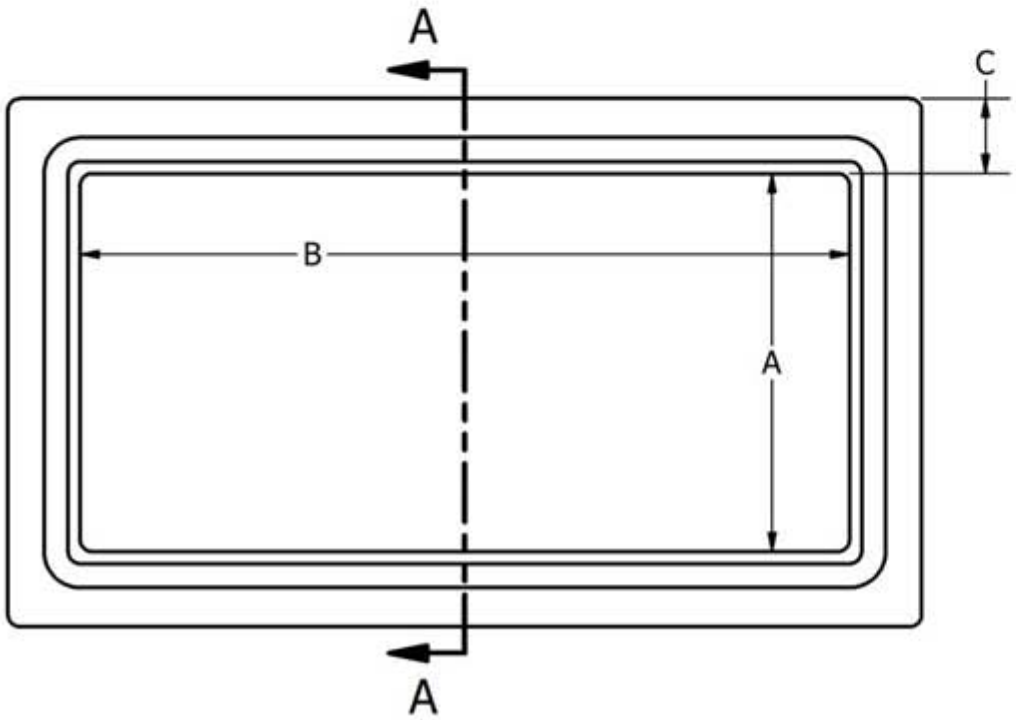


**Crawl Space
Door Systems**
INCORPORATED

FEMA Flood Vent



Frame Dimensions				
Model Number	A	B	C	D
D0816	8"	16"	1 1/2"	7/8"
D1220	12"	20"	3"	1 1/2"
D1232	12"	32"	3"	1 1/2"
D1616	16"	16"	3"	1 1/2"
D1624	16"	24"	3"	1 1/2"
D1632	16"	32"	3"	1 1/2"
D2032	20"	32"	3"	1 1/2"
D2424	24"	24"	3"	1 1/2"
D2436	24"	36"	3"	1 1/2"



SECTION A-A